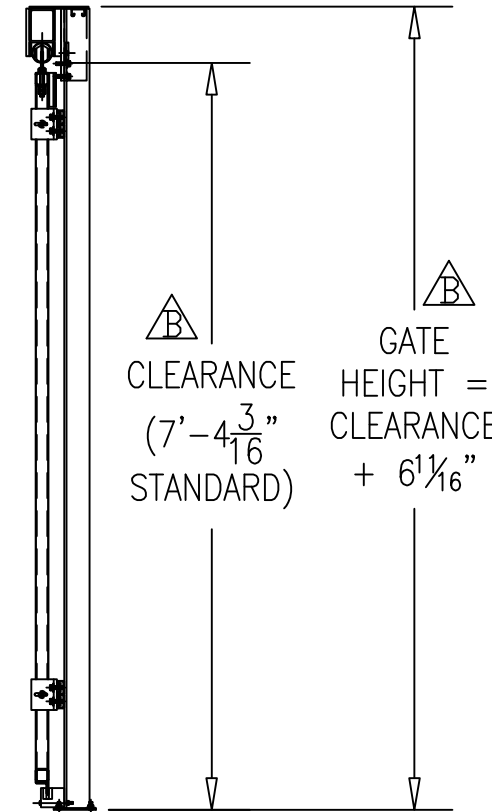
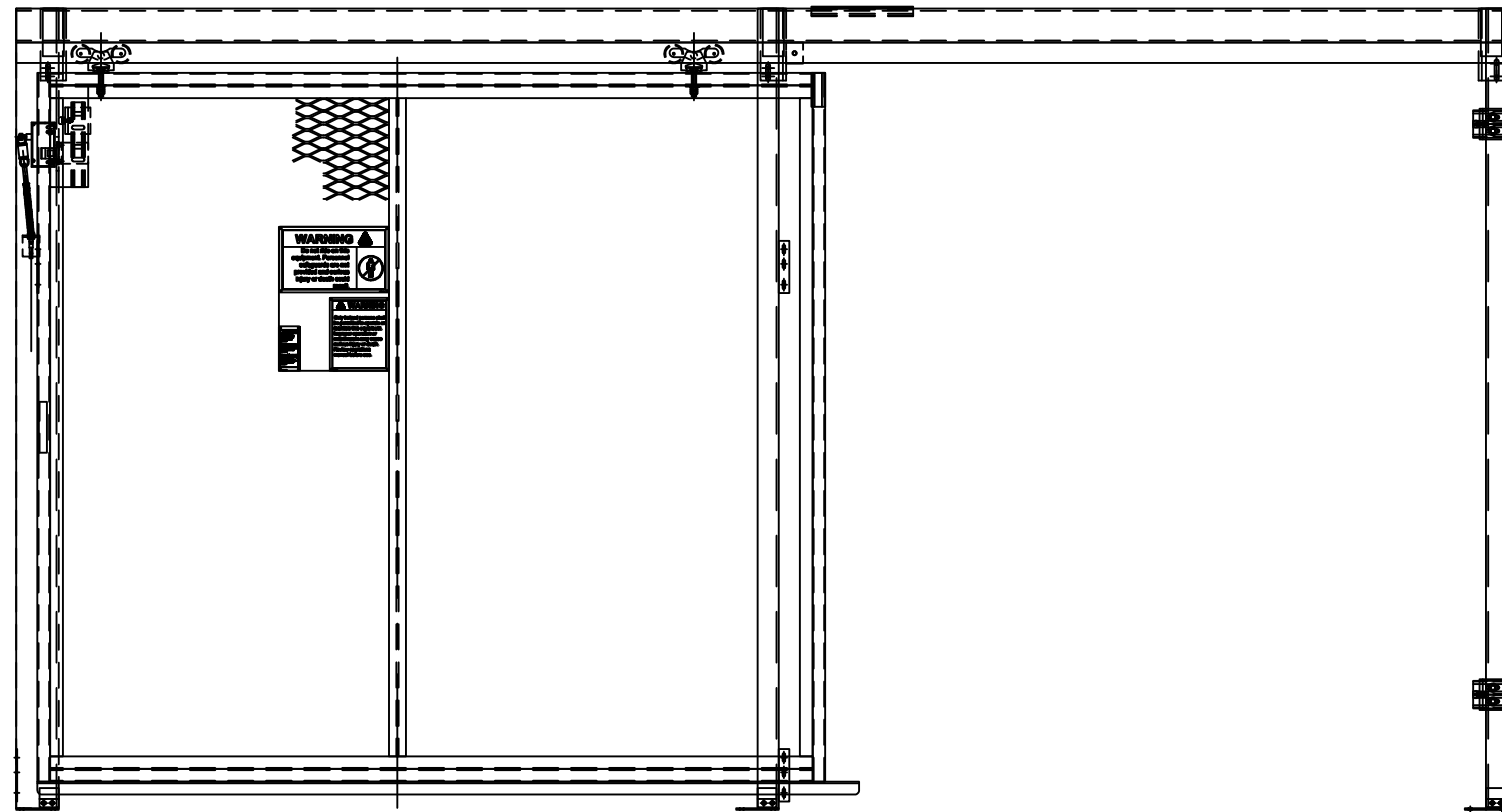


SLIDING GATE

- △ - STANDARD HEIGHT IS 7'-10 7/8"
- △ - PRACTICAL NOMINAL WIDTH LIMIT OF 10'-0" (22"-8" O.A.)

INTERLOCKS

- △ - G.A.L.



△△



MATERIAL HANDLING SOLUTIONS

6720 N. TEUTONIA AVE.
MILWAUKEE, WI 53209
P (414) 352-9000
F (414) 352-9002

THIS PRINT INCLUDING THE DESIGN AND PRINCIPLES OF CONSTRUCTION IS THE PROPERTY OF PFLOW INDUSTRIES, INC. AND MUST BE RETURNED ON DEMAND. THE INFORMATION CONTAINED HEREON IS CONFIDENTIAL AND MAY NOT BE USED NOR DIVULGED WITHOUT PERMISSION OF PFLOW INDUSTRIES, INC.

REV	DATE	BY	ECN
C	10/19/18	SJD	18.071
B	4/25/13	AEB	12.101
A	3/6/07	DMB	07.003

TITLE		SINGLE SLIDING GATE (H.D. TRACK STYLE) DIMENSIONAL INFORMATION	
DATE	9/12/00	SCALE	N.T.S.
DRAWN	DMB	CHECKED	
DRAWING NUMBER		9424-0022	
SHT	1	REV	C
OF	1		