

PLAN VIEW - LOWER LEVEL

C	7/20/18	AEB	18.071
B	2/13/13	AEB	12.101
A	9/29/00	MN	00.019
REV	DATE	BY	ECN
REVISIONS			

NOTES:

1.) ALL DIMENSIONS SHOWN REPRESENTATIVE OF AVERAGE APPLICATIONS. THESE DIMENSIONS WILL CHANGE BASED ON APPLICATION SPECIFIC CONDITIONS.

2.) CONSULT FACTORY BEFORE CONSTRUCTION OF PIT.



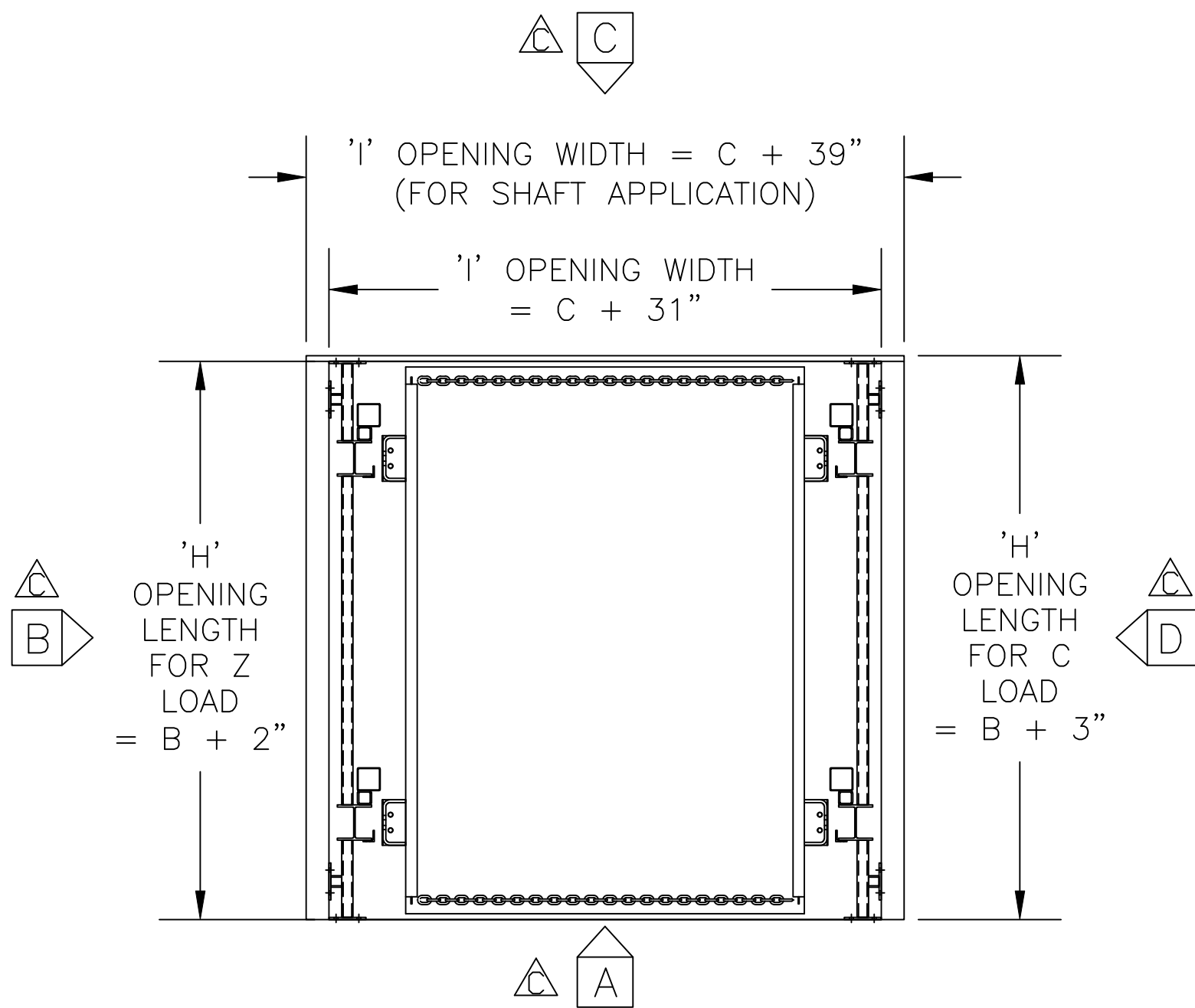
MATERIAL HANDLING SOLUTIONS

6720 N. TEUTONIA AVE.
MILWAUKEE, WI 53209
P (414) 352-9000
F (414) 352-9002

THIS PRINT INCLUDING THE DESIGN AND PRINCIPLES OF CONSTRUCTION IS THE PROPERTY OF PFLOW INDUSTRIES, INC. AND MUST BE RETURNED ON DEMAND. THE INFORMATION CONTAINED HEREON IS CONFIDENTIAL AND MAY NOT BE USED NOR DIVULGED WITHOUT PERMISSION OF PFLOW INDUSTRIES, INC.

TITLE SERIES F
DIMENSIONAL INFORMATION

DATE	3/19/96	SCALE	N.T.S.	DRAWING NUMBER	9424-0001	SHT	1	REV	C
DRAWN	PCP	CHECKED				OF	4		



PLAN VIEW - UPPER LEVEL

C	7/20/18	AEB	18.071
B	2/13/13	AEB	12.101
A	9/29/00	MN	00.019
REV	DATE	BY	ECN
REVISIONS			

NOTES:

1.) ALL DIMENSIONS SHOWN REPRESENTATIVE OF AVERAGE APPLICATIONS. THESE DIMENSIONS WILL CHANGE BASED ON APPLICATION SPECIFIC CONDITIONS.

2.) CONSULT FACTORY BEFORE CONSTRUCTION OF PIT.



MATERIAL HANDLING SOLUTIONS

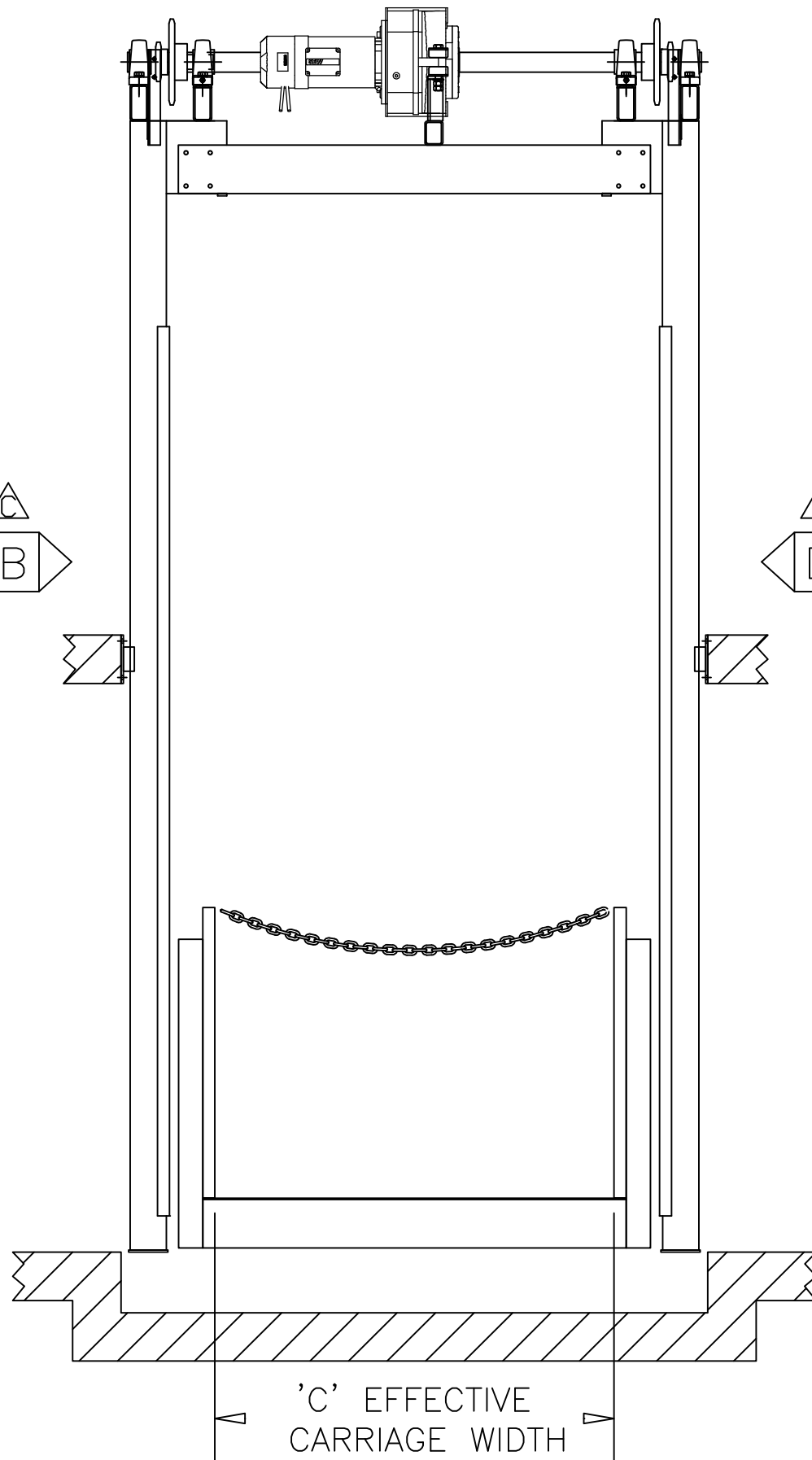
6720 N. TEUTONIA AVE.
MILWAUKEE, WI 53209
P (414) 352-9000
F (414) 352-9002

THIS PRINT INCLUDING THE DESIGN AND PRINCIPLES OF CONSTRUCTION IS THE PROPERTY OF PFLOW INDUSTRIES, INC. AND MUST BE RETURNED ON DEMAND. THE INFORMATION CONTAINED HEREON IS CONFIDENTIAL AND MAY NOT BE USED NOR DIVULGED WITHOUT PERMISSION OF PFLOW INDUSTRIES, INC.

TITLE

SERIES F
DIMENSIONAL INFORMATION

DATE	3/19/96	SCALE	N.T.S.	DRAWING NUMBER	9424-0001	SHT	2	REV	C
DRAWN	PCP	CHECKED				OF	4		



VIEW A

C	7/20/18	AEB	18.071
B	2/13/13	AEB	12.101
A	9/29/00	MN	00.019
REV	DATE	BY	ECN
REVISIONS			

NOTES:

1.) ALL DIMENSIONS SHOWN REPRESENTATIVE OF AVERAGE APPLICATIONS. THESE DIMENSIONS WILL CHANGE BASED ON APPLICATION SPECIFIC CONDITIONS.

2.) CONSULT FACTORY BEFORE CONSTRUCTION OF PIT.



MATERIAL HANDLING SOLUTIONS

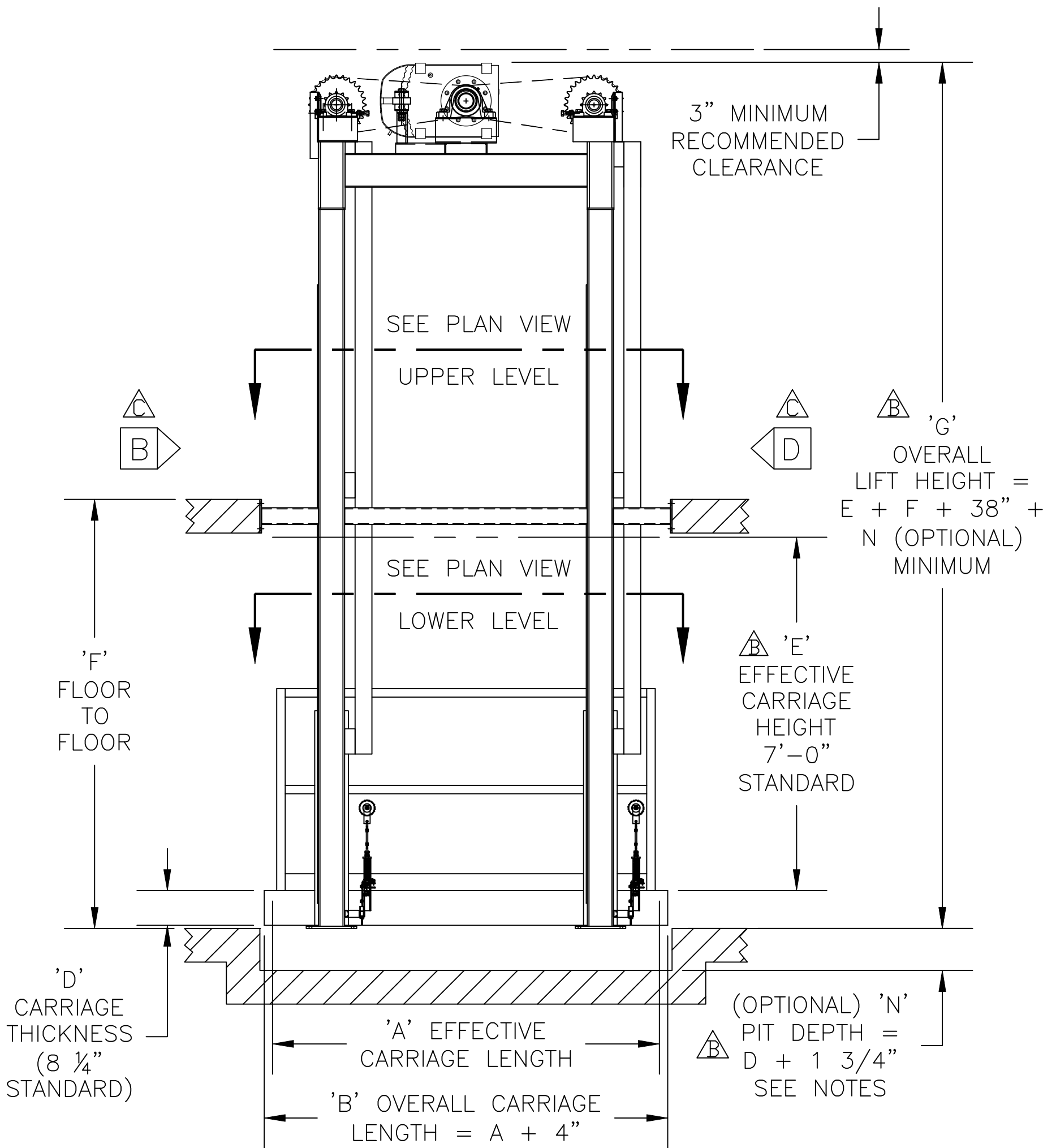
6720 N. TEUTONIA AVE.
MILWAUKEE, WI 53209
P (414) 352-9000
F (414) 352-9002

THIS PRINT INCLUDING THE DESIGN AND PRINCIPLES OF CONSTRUCTION IS THE PROPERTY OF PFLOW INDUSTRIES, INC. AND MUST BE RETURNED ON DEMAND. THE INFORMATION CONTAINED HEREON IS CONFIDENTIAL AND MAY NOT BE USED NOR DIVULGED WITHOUT PERMISSION OF PFLOW INDUSTRIES, INC.

TITLE

SERIES F
DIMENSIONAL INFORMATION

DATE	3/19/96	SCALE	N.T.S.	DRAWING NUMBER	9424-0001	SHT	3	REV	C
DRAWN	PCP	CHECKED				OF	4		



VIEW D

C	7/20/18	AEB	18.071
B	2/13/13	AEB	12.101
A	9/29/00	MN	00.019
REV	DATE	BY	ECN
REVISIONS			



PFLOW MATERIAL HANDLING SOLUTIONS

6720 N. TEUTONIA AVE.
MILWAUKEE, WI 53209
P (414) 352-9000
F (414) 352-9002

NOTES:

1.) ALL DIMENSIONS SHOWN REPRESENTATIVE OF AVERAGE APPLICATIONS. THESE DIMENSIONS WILL CHANGE BASED ON APPLICATION SPECIFIC CONDITIONS.

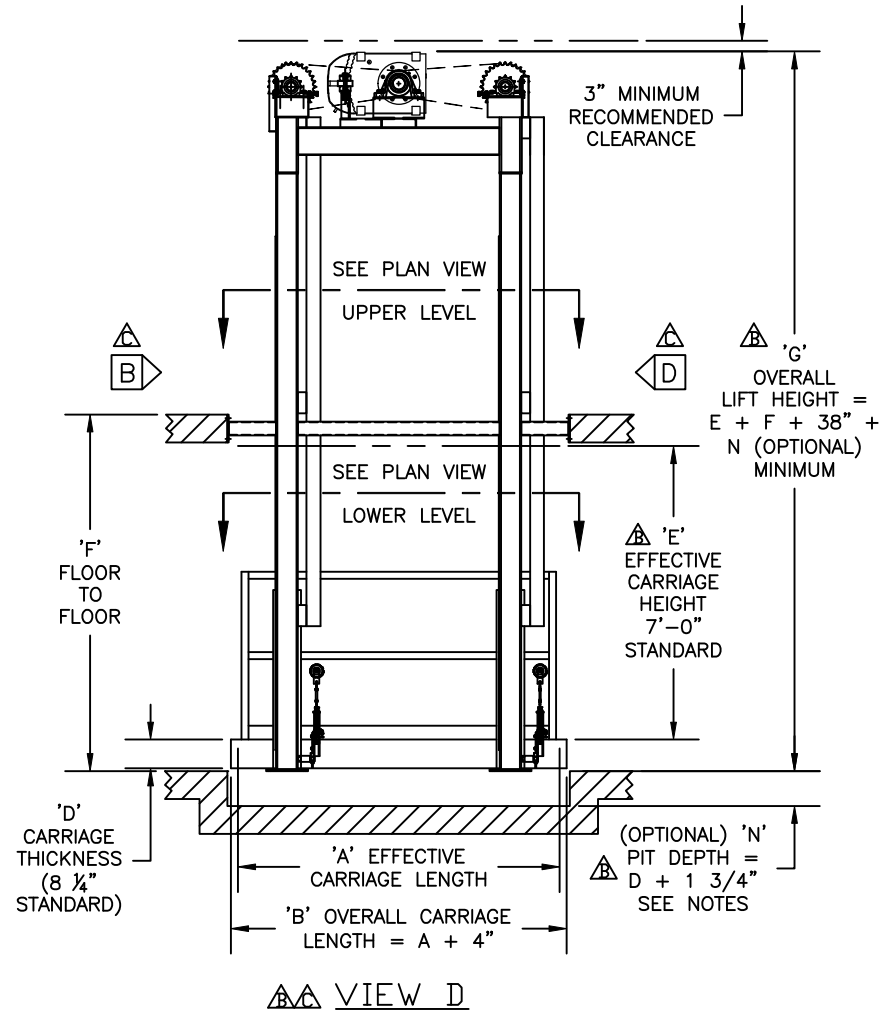
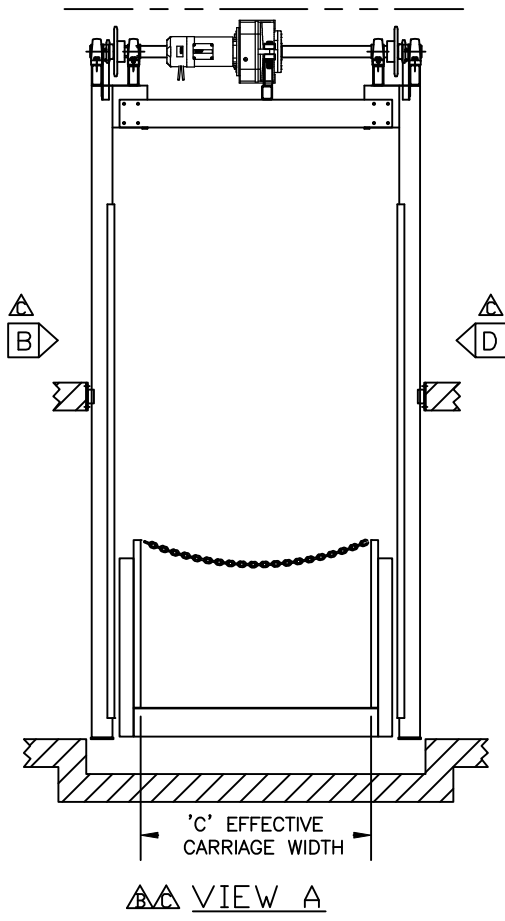
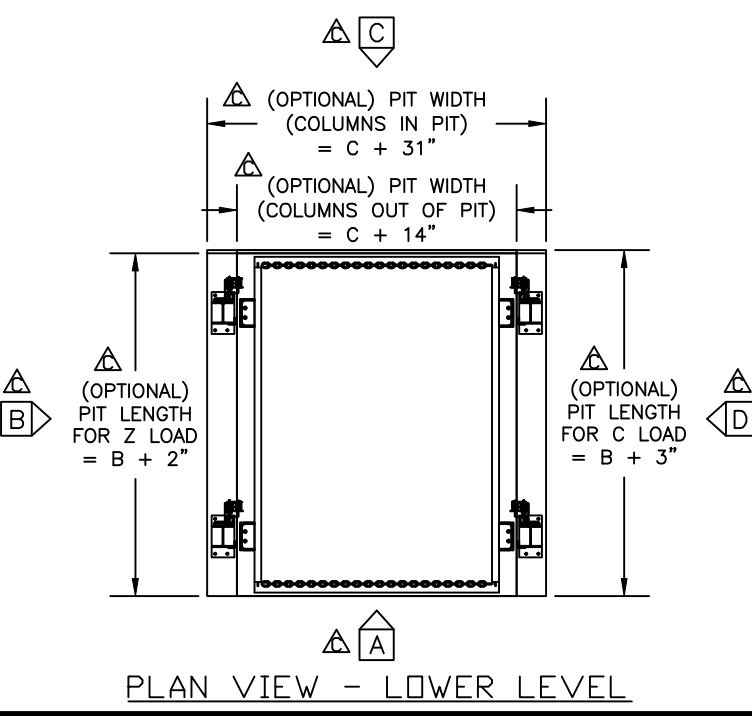
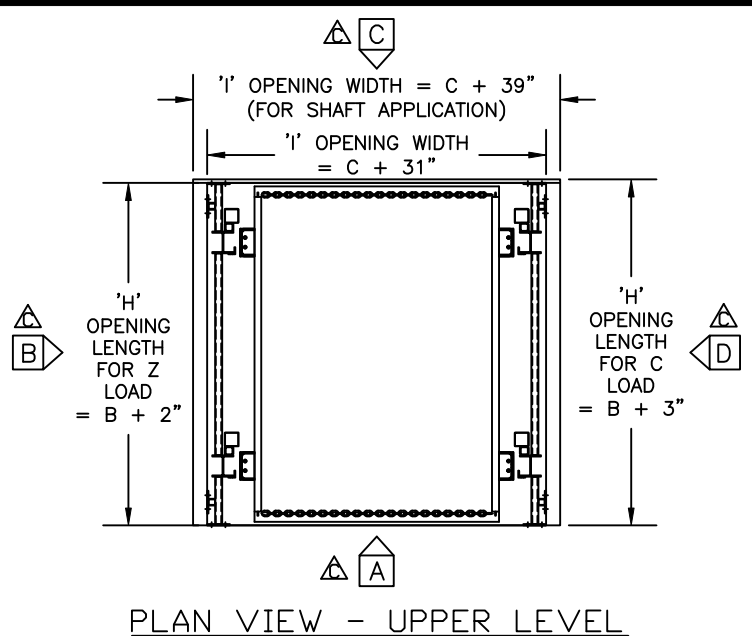
2.) CONSULT FACTORY BEFORE CONSTRUCTION OF PIT.

THIS PRINT INCLUDING THE DESIGN AND PRINCIPLES OF CONSTRUCTION IS THE PROPERTY OF PFLOW INDUSTRIES, INC. AND MUST BE RETURNED ON DEMAND. THE INFORMATION CONTAINED HEREON IS CONFIDENTIAL AND MAY NOT BE USED NOR DIVULGED WITHOUT PERMISSION OF PFLOW INDUSTRIES, INC.

TITLE

SERIES F
DIMENSIONAL INFORMATION

DATE	3/19/96	SCALE	N.T.S.	DRAWING NUMBER	9424-0001	SHT	4	REV	C
DRAWN	PCP	CHECKED				OF	4		



NOTES:
1.) ALL DIMENSIONS SHOWN REPRESENTATIVE OF AVERAGE APPLICATIONS. THESE DIMENSIONS WILL CHANGE BASED ON APPLICATION SPECIFIC CONDITIONS.
2.) CONSULT FACTORY BEFORE CONSTRUCTION OF PIT.

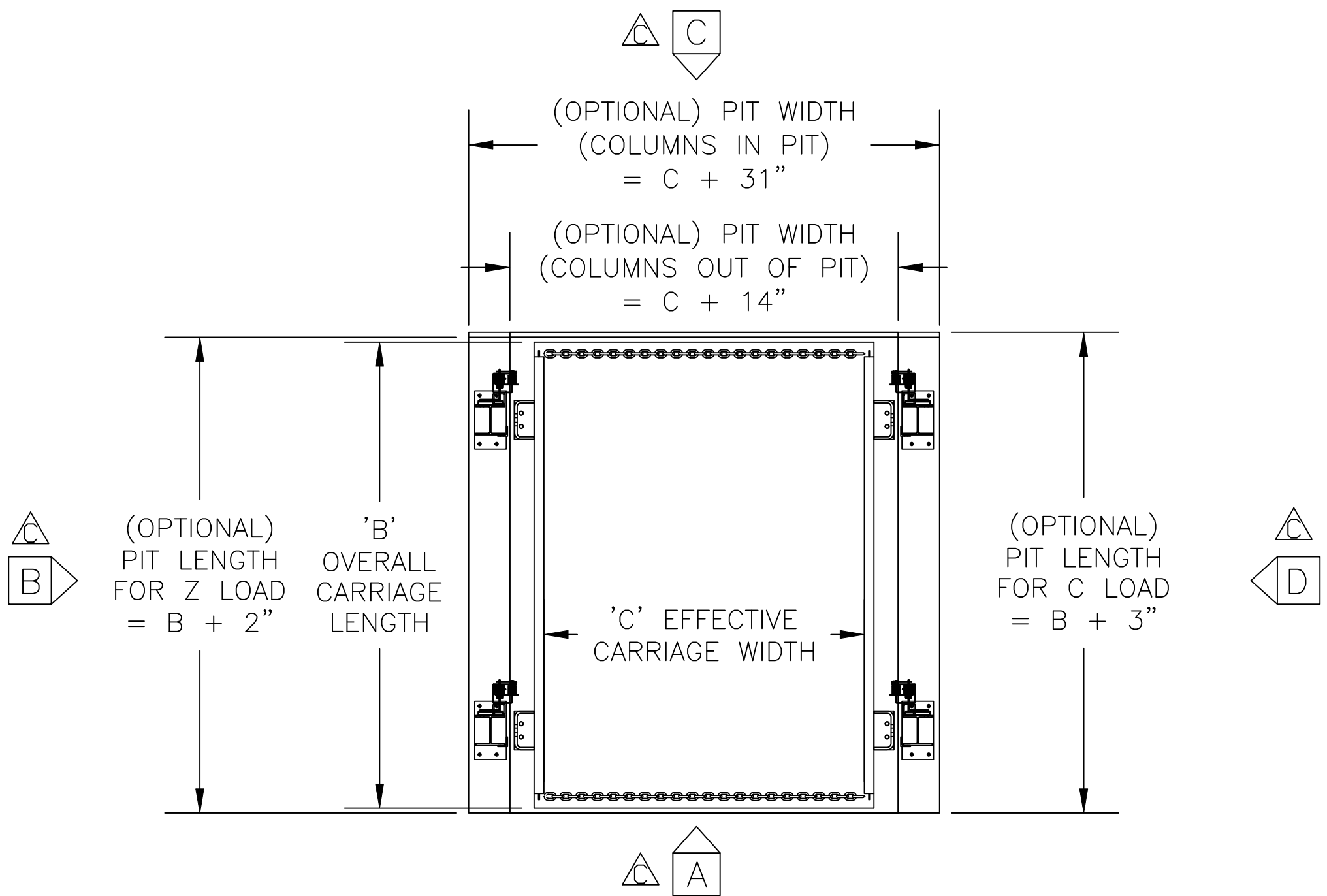
PFLOW INDUSTRIES MATERIAL HANDLING SOLUTIONS 6720 N. TEUTONIA AVE. MILWAUKEE, WI 53209 P (414) 352-9000 F (414) 352-9002

THIS PRINT INCLUDING THE DESIGN AND PRINCIPLES OF CONSTRUCTION IS THE PROPERTY OF PFLOW INDUSTRIES, INC. AND MUST BE RETURNED ON DEMAND. THE INFORMATION CONTAINED HEREON IS CONFIDENTIAL AND MAY NOT BE USED NOR DIVULGED WITHOUT PERMISSION OF PFLOW INDUSTRIES, INC.

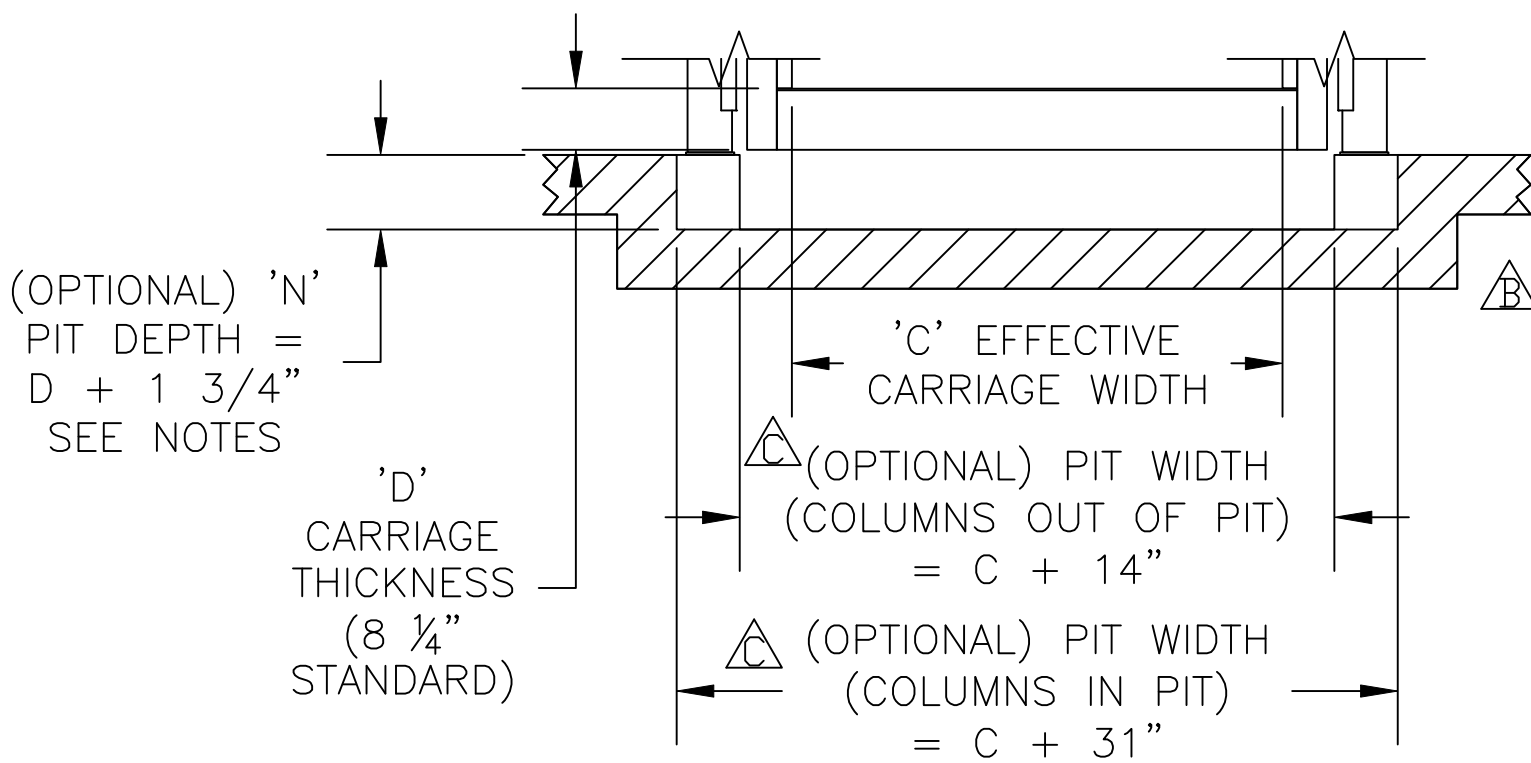
REV	DATE	BY	ECN	DATE	SCALE	DRAWING NUMBER	SHT	REV
C	7/20/18	AEB	18.071	3/19/96	N.T.S.	9424-0001	1	C
B	2/13/13	AEB	12.101				1	
A	9/29/00	MN	00.019				1	

TITLE: SERIES F DIMENSIONAL INFORMATION

REVISIONS: DRAWN: PCP CHECKED:



PLAN VIEW - LOWER LEVEL



VIEW A

C	7/20/18	AEB	18.071
B	2/13/13	AEB	12.101
A	9/29/00	MN	00.019
REV	DATE	BY	ECN
REVISIONS			

NOTES:

1.) ALL DIMENSIONS SHOWN REPRESENTATIVE OF AVERAGE APPLICATIONS. THESE DIMENSIONS WILL CHANGE BASED ON APPLICATION SPECIFIC CONDITIONS.

2.) CONSULT FACTORY BEFORE CONSTRUCTION OF PIT.



MATERIAL HANDLING SOLUTIONS

6720 N. TEUTONIA AVE.
MILWAUKEE, WI 53209
P (414) 352-9000
F (414) 352-9002

THIS PRINT INCLUDING THE DESIGN AND PRINCIPLES OF CONSTRUCTION IS THE PROPERTY OF PFLOW INDUSTRIES, INC. AND MUST BE RETURNED ON DEMAND. THE INFORMATION CONTAINED HEREON IS CONFIDENTIAL AND MAY NOT BE USED NOR DIVULGED WITHOUT PERMISSION OF PFLOW INDUSTRIES, INC.

TITLE
SERIES F
PIT DIMENSIONAL INFORMATION

DATE	3/19/96	SCALE	N.T.S.	DRAWING NUMBER	9424-0001	SHT	1	REV	C
DRAWN	PCP	CHECKED				OF	1		